

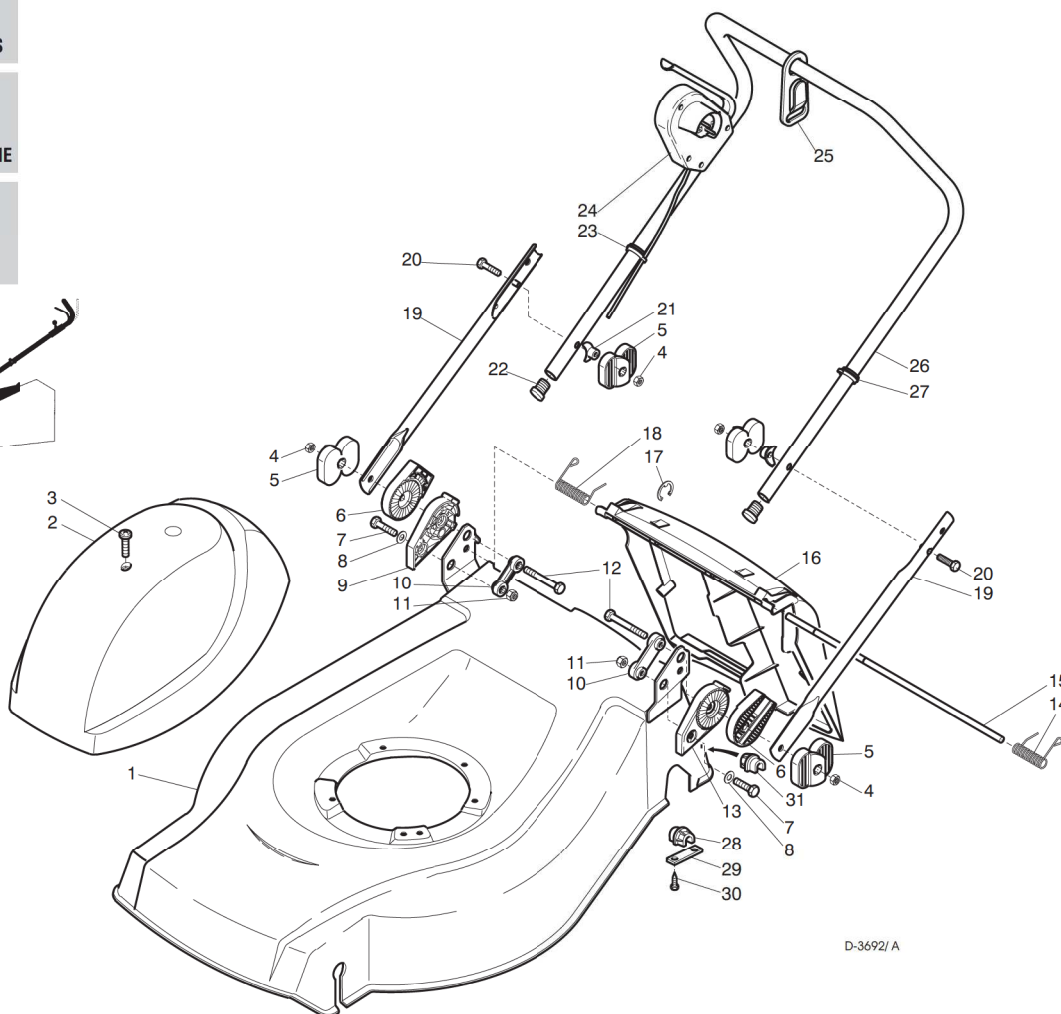
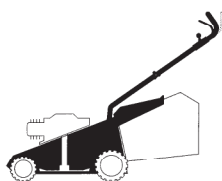
CAL 480

CHASSIS
MANICO
COMANDI
DOTAZIONE VITERIE

DECK
HANDLE
CONTROLS
SCREWS OUTFITS

CHÂSSIS
MANCHERON
COMMANDES
DOTATION VISSERIE

GEHÄUSE
HOLM
BETÄTIGUNGEN
SCRAUBENSATZ



D-3692/ A

SPARE PARTS CATALOGUE

GB

ERSATZTEILKATALOG

D

CATALOGO DELLE PARTI
DI RICAMBIO

I

CATALOGUE DES PIÈCES
DE RECHANGE

F

T-3692/ A

Pos. Nr.	Code Code Kodex	Q.tà Q.ty-Q.tè Menge	Descrizione	Description	Description	Beschreibung
1			CHASSIS	DECK	CHÂSSIS	GEHÄUSE
—	81001815/ 0	1	ROSSO	RED	ROUGE	ROTES
—	81001816/ 0	1	GIALLO	YELLOW	JAUNE	GELBES
—	81001817/ 0	1	VERDE	GREEN	VERT	GRÜNES
—	81001847/ 0	1	ARANCIONE	ORANGE	GRIS	GRAU
2	22055058/ 0	1	CAPOTTINA	COVER	CAPOT	HAUBE
3	12728680/ 0	2	VITE	SCREW	VIS	SCHRAUBE
4	12293202/ 0	4	DADO	NUT	ECROU	MUTTER
5	22399803/ 0	4	MANOPOLINA	KNOB	POIGNÉE	GRIFF
6	22785081/ 0	2	SUPPORTO ESTERNO	EXTERNAL SUPPORT	SUPPORT EXTERNE	AUßERE HALTERUNG
7	12793701/ 0	2	VITE	SCREW	VIS	SCHRAUBE
8	12521350/ 0	2	RONDELLA	WASHER	RONDELLE	SCHEIBE
9	22785082/ 0	1	SUPPORTO INTERNO DX	R. INTERNAL SUPPORT	SUPPORT INTERNE DROIT	INNERE HALTERUNG RECHTS
10	22551575/ 0	2	PIASTRINA INTERNA	INSIDE PLAQUE	PLAQUETTE INTERNE	INNERE PLATTE
11	12155000/ 0	2	DADO	NUT	ECROU	MUTTER
12	12691810/ 0	2	MANOPOLINA	KNOB	POIGNÉE	GRIFF
13	22785083/ 1	1	SUPPORTO INTERNO SX	L. INTERNAL SUPPORT	SUPPORT INTERNE GAUCHE	INNERE HALTERUNG LINKS
14	22450420/ 1	1	MOLLA SX	LEFT SPRING	RESSORT GAUCHE	LINKE FEDER
15	22517906/ 1	1	PERNO	PIN	PIVOT	BOLZEN
16	22600063/ 0	1	PARASASSI	STONE-GUARD	PARE-PIERRES	PRALLBLECH
17	12000930/ 0	1	ANELLO ELASTICO	SNAP RING	ANNEAU RESSORT	SPRENGRING
18	22450410/ 1	1	MOLLA DX	RIGHT-SPRING	RESSORT DROITE	RECHTE FEDER
19	81006975/ 0	2	PARTE INF. MANICO	LOWER HANDLE	PARTIE INF. MANCHERON	UNTERHOLM
20	12819125/ 0	2	VITE	SCREW	VIS	SCHRAUBE

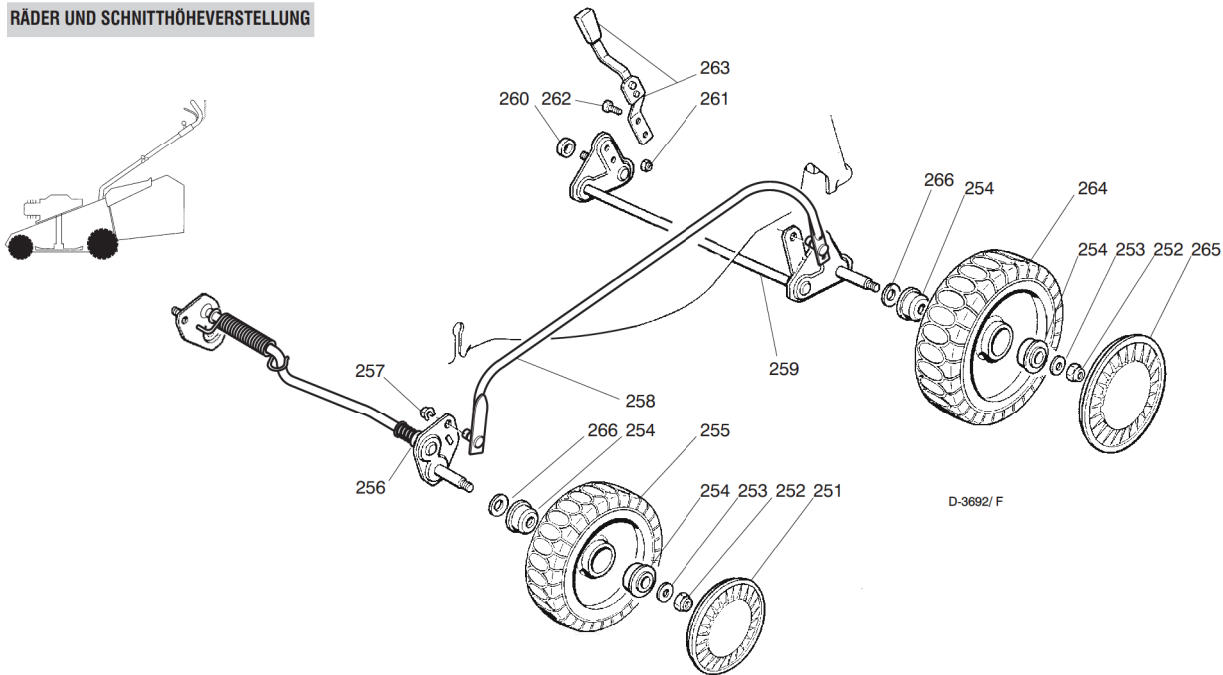
Pos. Nr.	Codice Code Kodex	Q.tà Q.ty-Q.tè Menge	Descrizione	Description	Description	Beschreibung
21	22680006/ 1	2	RONDELLA	WASHER	RONDELLE	SCHEIBE
22	18566112/ 0	2	PUNTALE	IN TINE	À L'HEURE	PÜNTLICH
23	22192000/ 1	1	FASCETTA ANCORAGGIO	ANCHOR CLAMP	COLLIER ANCRAGE	BOWDENZUGHALTER
24	18710628/ 0	1	SALVAMOTORE M.M.	DEAD HAND SWITCH	INT. MAIN MORTE	TOT MANDCHALTER
—	18710604/ 0	1	10 A 607 MS (1600W)	10 A 607 MS (1600W)	10 A 607 MS (1600W)	10 A 607 MS (1600W)
—	18710572/ 0	1	10 A 602 MS (1600W)	10 A 602 MS (1600W)	10 A 602 MS (1600W)	10 A 602 MS (1600W)
—	18710572/ 0	1	10 A 603 MS (1600W)	10 A 603 MS (1600W)	10 A 603 MS (1600W)	10 A 603 MS (1600W)
—	18710572/ 0	1	SOLO PER SVIZZERA	ONLY FOR SWITZERLAND	SEUL POUR LA SUISSE	NUR FÜR SCHWEIZ
25	22195101/ 1	1	FERMACAVO	FAIR LEAD	FIXATION CABLE	KABELBEFESTIGUNG
26	81007037/ 0	1	PARTE SUP. MANICO	UPPER HANDLE	PARTIE SUP. MANCHERON	OBERHOLM
27	22192151/ 0	1	FERMACAVO	FAIR LEAD	FIXATION CABLE	KABELBEFESTIGUNG
28	22038403/ 0	1	BRONZINA SINISTRA	LEFT BUSH	DOUILLE GAUCHE	LINKE BUCHSE
29	22545142/ 0	2	PIASTRINA	PLATE	PLAQUETTE	PLATTE
30	12731350/ 0	4	VITE	SCREW	VIS	SCHRAUBE
31	22038402/ 0	1	BRONZINA DESTRA	RIGHT BUSH	DOUILLE DROITE	RECHTE BUCHSRE
—	81008632/ 0		DOTAZ. VITERIA	SCREWS OUTFIT	DOTATION VISSERIE	SCHRAUBEN SATZ

RUOTE E REGOLAZIONE

WHEELS AND HEIGHT ADJUSTING

ROUES ET REGLAGE HAUTER DE COUPE

RÄDER UND SCHNITTHÖHEVERSTELLUNG



T-3692/ F

251	22110282/ 0	2	COPRIMOZZO	HUB CAP	COUVRE-MOYEU	RADKAPPE
—	22110288/ 0	2	BIANCO	WHITE	BLANC	WEIßE
—	22110290/ 0	2	GIALLO	YELLOW	JAUNE	GELB
—	22110290/ 0	2	ROSSO	RED	ROUGE	ROTE
—	22110300/ 0	2	GRIGIO	GREY	GRIS	GRAU
252	12155000/ 0	4	DADO	NUT	ECROU	MUTTER
253	12521350/ 0	4	RONDELLA	WASHER	RONDELLE	SCHEIBE
254	22122200/ 0	8	CUSCINETTO	BEARING	COUSSINET	KUGELLAGER
255	81007317/ 0	2	RUOTA SCOLPITA Ø 170	KNOBBLY WHEEL Ø 170	ROUE SCULPTEE Ø 170	RAD M. STOLLENPR. Ø 170
256	81000141/ 0	1	ASSE RUOTE ANTERIORE	INSIDE PLAQUE	PLAQUETTE INTERNE	INNERE PLATTE
257	12436050/ 0	2	PIASTRINA	PLATE	PLAQUETTE	PLATTCHEN
258	81006481/ 0	1	ASTA COMANDO	ADJUSTMENT ROD	TIGE COMMANDE	STELLSTAB
259	81001278/ 0	1	ASSE RUOTE POSTERIORE	REAR WHEELS AXEL	AXE ROUES ARRIERE	HINTERRADACHSE
260	22170800/ 0	1	DISTANZIALE	SPACER	ENTRETOISE	DISTANZRING
261	12154330/ 0	2	DADO	NUT	ECROU	MUTTER
262	12789000/ 0	2	VITE	SCREW	VIS	SCHRAUBE
263	81003283/ 1	1	LEVA REGOLAZIONE	ADJUSTMENT LEVER	LEVIER REGLAGE	VERSTELLUNGHEBEL
264	81007318/ 1	2	RUOTA SCOLPITA Ø 210	KNOBBLY WHEEL Ø 210	ROUE SCULPTEE Ø 210	RAD M. STOLLENPR. Ø 210
265	22110281/ 0	2	COPRIMOZZO	HUB CAP	COUVRE-MOYEU	RADKAPPE
—	22110287/ 0	2	BIANCO	WHITE	BLANC	WEIßE
—	22110287/ 0	2	GIALLO	YELLOW	JAUNE	GELB
—	22110289/ 0	2	ROSSO	RED	ROUGE	ROTE
—	22110301/ 0	2	GRIGIO	GREY	GRIS	GRAU
266	12530150/ 0	4	RONDELLA	WASHER	RONDELLE	SCHEIBE

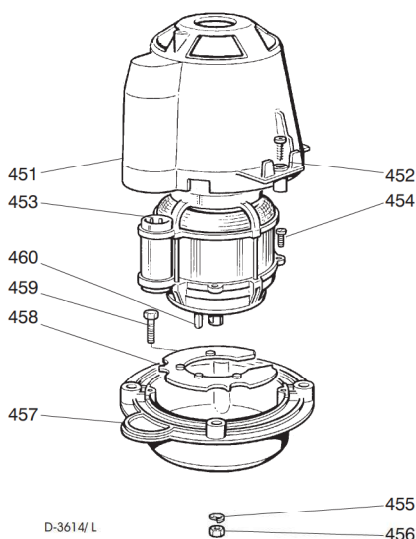
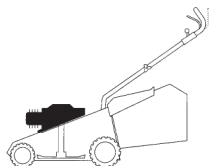
Pos. Nr.	Codice Code Kodex	Q.tà Q.ty-Q.tè Menge	Descrizione	Description	Description	Beschreibung
----------	-------------------	----------------------	-------------	-------------	-------------	--------------

GRUPPO MOTORE ELETTRICO

MOTOR ASS.Y

MOTEUR ELECTRIQUE

ELEKTROMOTOR



D-3614/ L

T-3614/ L

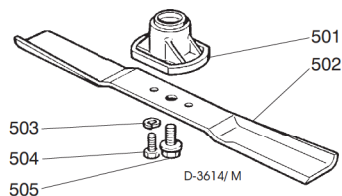
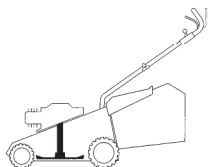
451	22785061/ 0	1	SUPPORTO CAPOTTINA	COVER SUPPORT	SUPPORT CAPOT	HAUBEHALTER
452	12728710/ 0	4	VITE	SCREW	VIS	SCHRAUBE
453	18563009/ 0	1	MOTORE	MOTOR	MOTEUR	MOTOR
—	18563061/ 2	1	IBMEI 1600W (230V)	IBMEI 1600W (230V)	IBMEI 1600W (230V)	IBMEI 1600W (230V)
—	18563009/ 0	1	RST 1600W (230V)	RST 1600W (230V)	RST 1600W (230V)	RST 1600W (230V)
—	18563047/ 2	1	IBMEI 1600W (240V)	IBMEI 1600W (240V)	IBMEI 1600W (240V)	IBMEI 1600W (240V)
(453A)	18740049/ 0	1	VENTOLA	FAN	VENTILATEUR	LÜFTER
—	18740049/ 0	1	PER MOTORE IBMEI	IBMEI MOTOR	MOTEUR IBMEI	IBMEI MOTOR
—	18740051/ 0	1	PER MOTORE RST	RST MOTOR	MOTEUR RST	RST MOTOR
(453B)	18222038/ 0	1	CONDENSATORE 20 µF	CONDENSER 20 µF	CONDENSEUR 20 µF	KONDENSATOR 20 µF
454	12735410/ 0	4	VITE	SCREW	VIS	SCHRAUBE
455	12583500/ 0	4	GROWER	GROWER	GROWER	FEDERRING
456	12293200/ 0	4	DADO	NUT	ECROU	MUTTER
457	22207211/ 3	1	FLANGIA	FLANGE	BRIDE	FLANSCH
458	22720360/ 1	1	SCHERMO VENTILAZIONE	VENTILATION SCREEN	ECRAN VENTILATION	LÜFTUNGSSCHIRM
459	12793700/ 0	4	VITE	SCREW	VIS	SCHRAUBE
460	12139440/ 0	1	LINGUETTA	FEATHER	CLAVETTE	KEIL

GRUPPO COLTELLO

BLADE ASS.Y

GROUPE LAME

MESSERSATZ



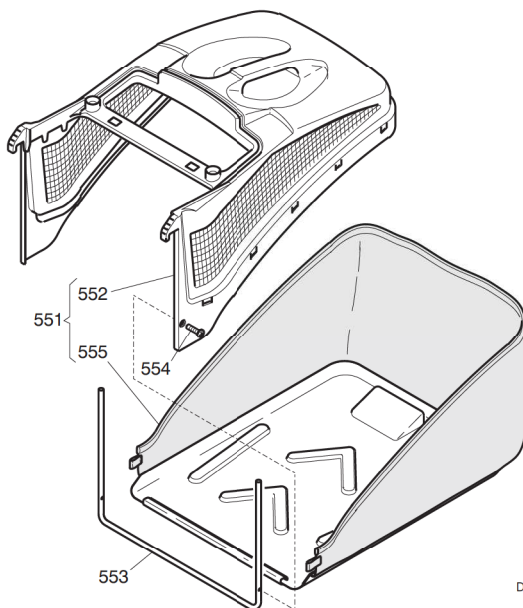
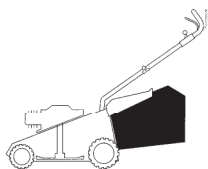
D-3614/ M

T-3689/ M

501	22463186/ 2	1	MOZZO	HUB	MOYEU	NABE
502	81004346/ 2	1	COLTELLO STANDARD 46 cm.	STANDARD BLADE 46 cm.	LAME STANDARD 46 cm.	STANDARD MESSER 46 cm.
—	81004397/ 0	1	COLTELLO ALETTATO 46 cm.	WINGED BLADE 46 cm.	LAME AILETTÉE 46 cm.	FLÜGELMESSER 46 cm.
503	12583500/ 0	2	GROWER	GROWER	GROWER	FEDERRING
504	12793101/ 0	2	VITE	SCREW	VIS	SCHRAUBE
505	81004352/ 0	1	VITE	SCREW	VIS	SCHRAUBE

Pos. Nr.	Codice Code Kodex	Q.tà Q.ty-Q.tè Menge	Descrizione	Description	Description	Beschreibung
----------	-------------------	----------------------	-------------	-------------	-------------	--------------

- SACCO RACCOGLIERBA**
- GRASS-CATCHER**
- BAC DE RAMASSAGE**
- GRASFANGKORB**



D-3689/ N

T-3689/ N	551	91000010/ 0	1	SACCO COMPLETO	COMPLETE GRASS-BOX	SAC COMPLET	KOMPLETTER KORB
	552	22486086/ 0	1	PORTE SUP. SACCO	UPPER GRASS BOX	PARTIE SUP. SAC	OBERKORB
	553	22608523/ 1	1	RINFORZO INF.	DOLON REINFORCEMENT	RÉNFORCEMENT INFÉRIEUR	UNTER STÜTZ
	554	12728445/ 0	1	VITE	SCREW	VIS	SCHRAUBE
	555	81002180/ 0	1	TELA SACCO	FABRIC BOX	TOILE POUR SAC	TUCK FÜR SACK